



1000Base-T Transformer

You are welcomed to come to JASN factory to buy the latest selling, low price, and high-quality 1000Base-T Transformer. We look forward to cooperating with you. This G24P12S is compliant with IEEE 802.3ab standard and operating temperature range: 0°C to +70°C.

Model: G24P12S

You can rest assured to buy 1000Base-T Transformer from JASN factory and we will offer you the best after-sale service and timely delivery.

Feature

Compliant with IEEE 802.3ab standard.

Comply with RoHS requirements.

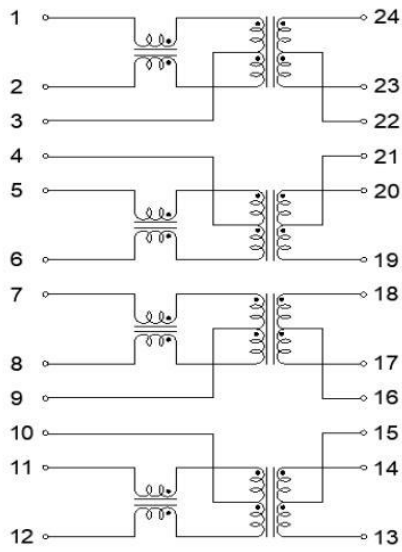
Operating temperature range: 0°C to +70°C.

Storage temperature range: -25°C to +105°C.

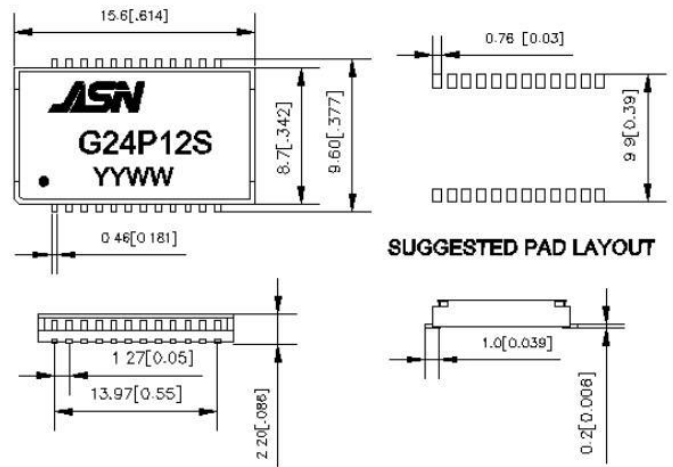
Electrical Specifications @ 25°C

OCL:	350uH Min. @100KHz/0.1V			
Hi-POT :	1500Vrms			
Turn Ratio:	1:1±3%			
LK:	0.5uH Max @100KHz/0.2V			
Cw/w	28PF Max @100KHz/0.2V			
D.C.R:	1.2 ohm Max			
Insertion Loss:	1-100MHz: -1.1dB Max			
Cross Talk :	30MHz: -35dB Min			
	60-100MHz: -32dB Min			
Return Loss:	1-30MHz	40MHz	50MHz	60-100MHz
	-18dB Min	-14.4dB Min	-13.1dB Min	-12dB Min
DCMR:	30MHz	60MHz	100MHz	
	-40dB Min	-35dB Min	-30dB Min	

Schematic



Mechanical



1. Unit: mm[inch]

2. Unless otherwise specified, all tolerances are $\pm 0.25[.01]$